

# medifa

Member of REINSBERG® GROUP



## medifa 4000 URO

Examination chairs  
for urology

Made in Germany

# medifa 4000 URO

- Ergonomic and modern design
- Polished high quality stainless steel edition
- Optimal to clean and disinfect
- User friendly foot switch conception
- Additional hand switch with coloured display (400550/570)
- Accessible for handicapped and elderly people
- 12 memory positions/ 4 user accounts
- Time saving by simultaneous drive of engines (memory-positions)
- Various colouring possible
- Small footprint by compact construction
- Maximum permissible overall load of 200 kg



# medifa 4000 URO

## Examination and treatment chair

### Art.-no. 400520

With the following electrical functions:

- Height adjustment
- Adjustment of pelvis section
- Adjustment of back section

### Shown accessories:

#### Art.-no. 40023

Neck upholstery

#### Art.-no. 81726\_1

Footrests „Comfort“ incl.  
artificial leather cover

#### Art.-no. 91706

Collecting basin (ø 320 mm) with  
rinsing device



## Examination and treatment chair

### Art.-no. 400550

With the following electrical functions:

- Height adjustment
- Adjustment of pelvis section
- Adjustment of back section
- Hand switch
- Memory function with three programmable positions for four operators

### Shown accessories:

#### Art.-no. 40023

Neck upholstery

#### Art.-no. 40000

Powder coated base according to  
RAL colour chart (on request)

#### Art.-no. 42000

Column cover made of  
stainless steel

#### Art.-no. 81717

Leg holders according to Goepel incl.  
artificial leather covering

#### Art.-no. 91706

Collecting basin (ø 320 mm) with  
rinsing device



# medifa 4000 URO

## Examination and treatment chair

### Art.-no. 400570

With the following electrical functions:

- Height adjustment
- Adjustment of pelvis section
- Adjustment of back section
- Adjustment of leg rests
- Hand switch
- Memory function with three programmable positions for four operators

### Shown accessories:

#### Art.-no. 40023

Neck upholstery

#### Art.-no. 81726\_2

Footrests incl. artificial leather cover

#### Art.-no. 91706

Collecting basin (ø 320 mm) with rinsing device



## Basic Features

- Aluminium base and column cover powder coated, white (RAL 9010)
- Seat part and back rest frame made of polished stainless steel
- Electric movements controlled by easy operated cable foot switch
- Electric movements controlled by easy operated hand switch with colour display (Model 400550, 400570)
- Floor levelling screws for secure standing
- Upholstery with ergonomic form, 50 mm thickness
- Head and back upholstery prepared for neck upholstery with magnetic fixation
- Plastic covered backsides of upholstery parts
- Paper roll holder for paper rolls (up to 500 mm) at back rest
- Paper rollable over back rest and seat part, or just over seat part
- Mounting device for side rails (25 x 10 mm), hand grips as well as a fixation device for leg holder system acc. to Goepel
- Extendable, inclinable, detachable white plastic basin
- Safe working load: 200 kg
- Weight of the chair: approx. 110 kg
- Floor space required: 860 x 550 mm
- Power supply: 110/230 V / 50-60Hz , incl. 3 m cable



# Models



	Range	400520	400550	400570
Height adjustment	550-900 mm	●	●	●
Height adjustment by means of raising pelvis part	230 mm		550 -1130 mm	
Adjustment of pelvis section	+20°	●	●	●
Adjustment of back section	+50°	●	●	●
Leg holder adjustment	30°	■	■	●
Memory (12 positions)			●	●
Hand switch		◆	●	●
Flushing facility		◆	◆	◆
Maximum permissible overall load		200 kg	200 kg	200 kg

● Electrical   ■ Manual   ◆ Optional

# Upholstery colours

- Upholstery**
- Ergonomic implementation of upholstery parts
  - Rounded rough edges
  - High quality artificial leather
  - Seamlessly manufactured
  - Optimal possibilities to clean and to disinfect
  - Various colourings without any extra charge
  - Incl. magnetic fixation for neck rest upholstery



White	Beige	Lime	Lemonade	Agave
Apricot	Carnelian	Cherry	Pearl	Stone
Dolphin	Light Blue	Atoll	Royal	Purple
Graphite grey	Black	Black, electrically conductive		

# Functionality and Design



# Functionality and Design

Powered adjustment of height  
from 550 up to 900 mm



Powered adjustment of leg holder  
system up to 30°  
(Model 400570)



Powered adjustment of  
pelvis section up to + 20°



Powered adjustment of  
back section up to +50°



# Control concept

Learn more about the advantages of the medifa 4000 control concept using the model 400570 as an example.

- Only a few keys ensure simple and intuitive operation
- Control concept can be learned quickly thanks to the same symbols and colour scheme of the control units
- Colour display shows motion performed and selected user level (400550 and 400570 models only)
- Time saving due to synchronous running of the motors in memory mode
- Four user levels, each with three memory positions - ideal for multiple users
- All movements can be immediately stopped and executed again
- All three memory positions can also be activated directly via foot switch
- Collecting basin inflow controlled via foot switch

Illuminated colour display shows

- the current position,
- of the 4 available user modes,
- of the 3 memory positions

Double function key for

- preselection of the several functions
- preselection of memory positions M1 to M3

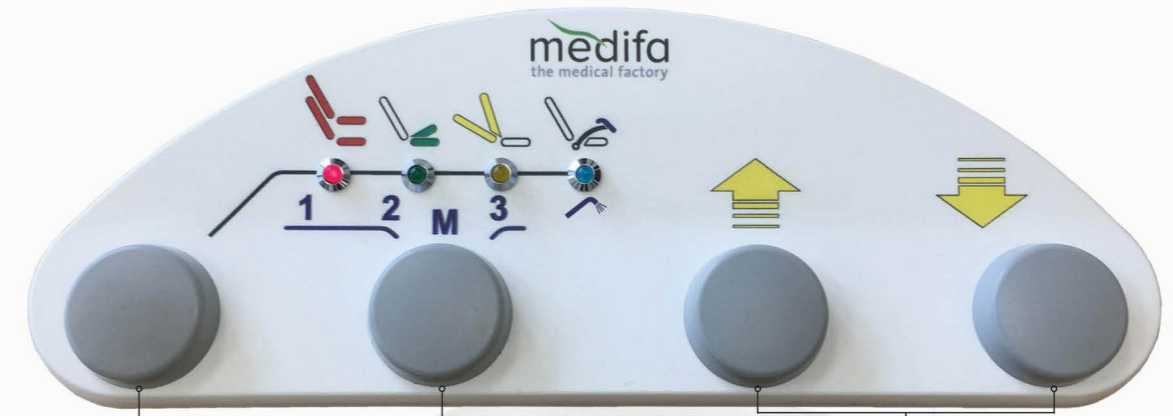
LED display shows selected function

Positioning keys for all functions

User selection key (4 users)

Activating a saved memory position

Saving a memory position



Double function key for

- preselection of the several functions
- preselection of memory positions M1 to M3

Activation of one of the three memory positions directly accessible by foot

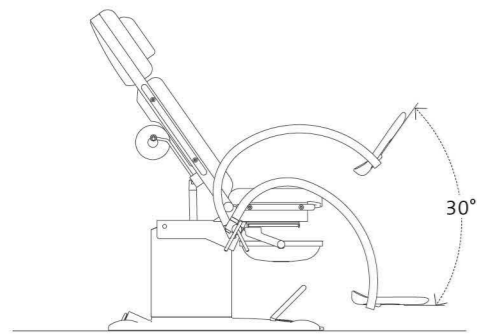
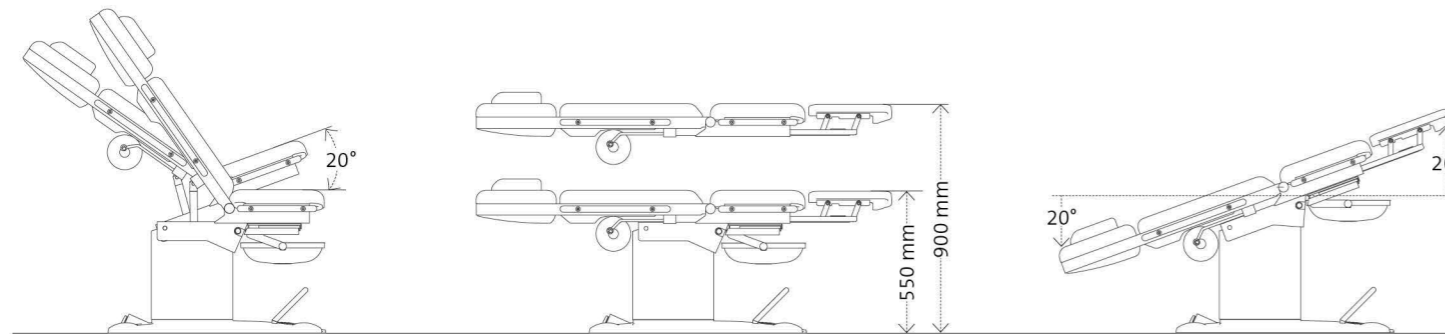
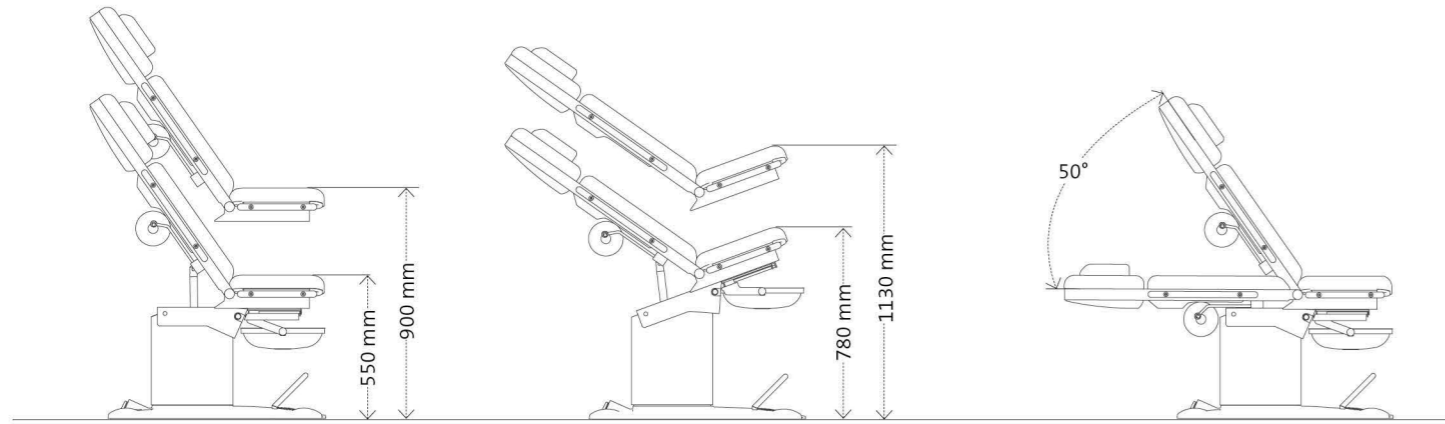
Positioning keys for all functions

## Exemplary workflow using the memory functions

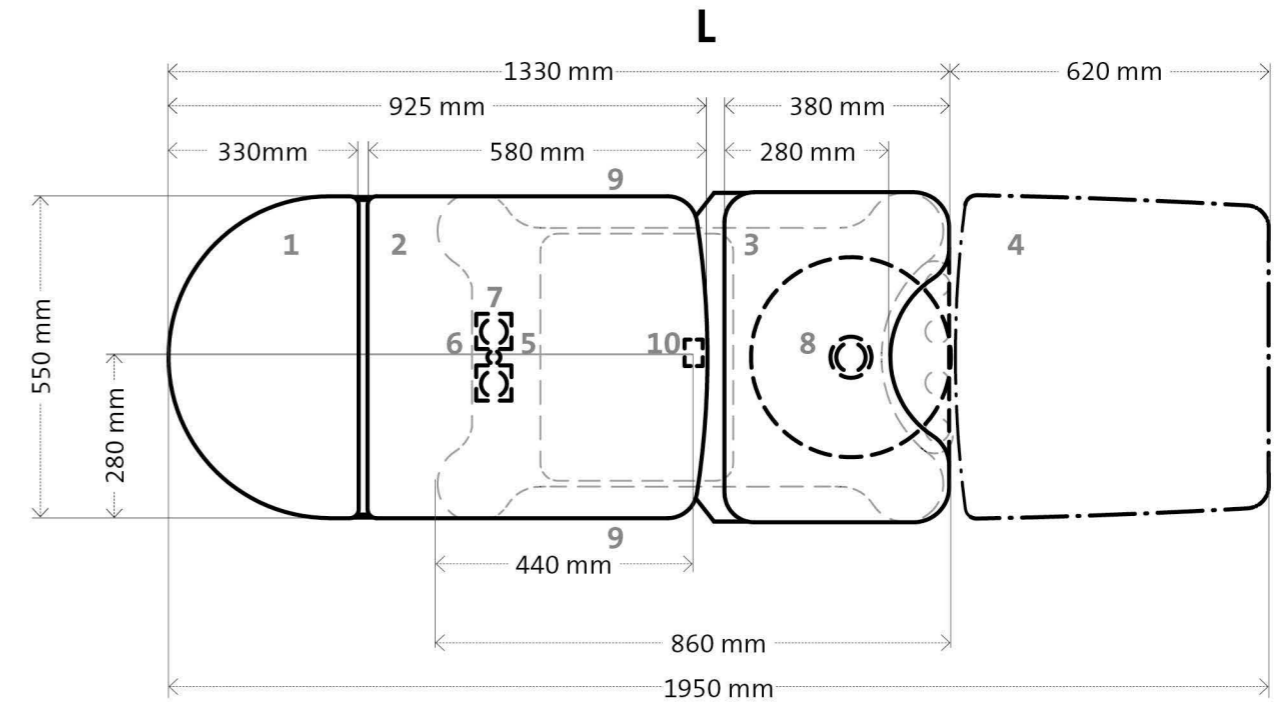




# Technical Information



400570

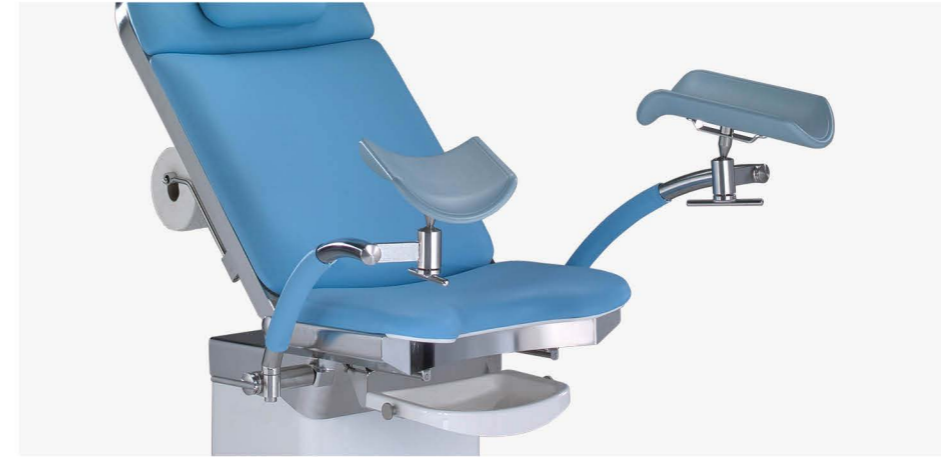


1.	Head upholstery	7.	Socket at the base (accessory 40677)
2.	Back upholstery	8.	Rinsing device (Accessory 91706)
3.	Pelvis upholstery	9.	External water connection $\varnothing$ 1/2", standard left-sided
4.	Leg plate (Accessory 400066)		Drainage hose $\varnothing$ 40 mm
5.	Potential equalisation (Accessory 40678)	10.	Cable outlet for floor connection
6.	Power cable outlet		

# Leg Holder Systems



- Art.-no. 81726\_1**  
Footrests Comfort (pair), with integrated hand grip function and artificial leather cover, for attachment at the chair's tothing elements
- Stepless, gas spring supported one-hand height adjustment
  - Swivelling
  - Grey foamed PUR footrests
  - Not in combination with items 81072 and 82347\_System



- Art.-no. 81717**  
Leg holders according to Goepel (pair), with integrated hand grip function and artificial leather cover, for attachment at the chair's tothing elements
- Adjustment of leg holders by tothing elements at the chair
  - Swivelling
  - Grey foamed PUR footrests
  - Stepless adjustment of the knee bolsters by ball joint
  - Suitable for electric adjustment (400570)



- Art.-no. 81726\_2**  
Footrests (pair), with integrated hand grip function and artificial leather cover, for attachment at the chair's tothing elements
- Adjustment of footrests by tothing elements at the chair
  - Swivelling
  - Grey foamed PUR footrests
  - Suitable for electric adjustment (400570)



- Art.-no. 81705**  
Leg holder according to Goepel Comfort with grey foamed PUR knee bolsters (pair)
- Art.-no. 85223**  
Side rails at pelvis section for accessory attachment (pair), l = 320 mm, only required for items 81705, 81700 and 81650
- Art.-no. 61511**  
Clamps made of stainless steel, rotatable, for side rail attachment (piece)

# Leg Holder Systems



**Art.-no. 81700**

Leg holders according to Goepel Classic with black foamed PUR knee bolsters (pair)

**Art.-no. 81710**

Additional charge for artificial leather cover of knee bolsters (only for item 81700) in upholstery colour



**Art.-no. 400076**

Leg plate for short horizontal positioning of the patient

- Complete insertion of the leg plate below the seat part
- Enlargement of the chair's lying surface up to 1670 mm
- Not in combination with items 400066, 91706 and 91767



**Art.-no. 81650**

Heel supports (pair) for fixation at side rail, made of stainless steel, without clamps



**Art.-no. 400066**

Leg plate for horizontal positioning of the patient

- Leg plate adaption by insertion below the seat part
- Enlargement of the chair's lying surface up to 1950 mm
- Not in combination with item 400076

# Urological Accessories



**Art.-no. 91706**

Collecting basin (ø 320 mm) made of stainless steel with rinsing device, incl. odour trap and inspection access, inflow electromagnetically controlled via foot switch, not in combination with item 91762



**Art.-no. 91707**

Catching filter for insertion into collecting basin

**Art.-no. 91716**

Hanging up rack beside the chair for collecting basin or uroflow system



**Art.-no. 91762**

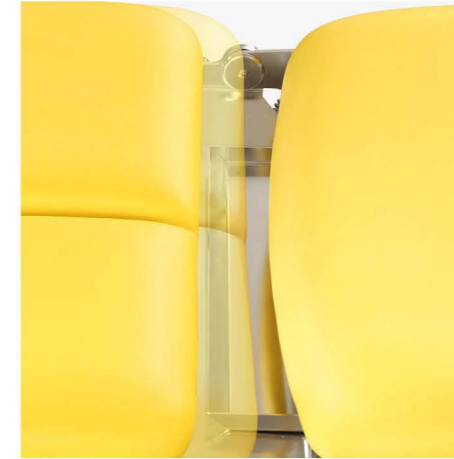
Holder for uroflow system, incl. rack for chair attachment, not in combination with items 91706, 91617, 400076 and 81072\_200

**Art.-no. 91763**

Same as 91762, but can be combined with item 91706 or 91617

**Art.-no. 91765**

Uro dynamic seat cushion with central drainage channel



**Art.-no. 91767**

Drainage pan made of stainless steel with tube, not in combination with item 400076



**Art.-no. 91617**

Stainless steel disk (ø 320mm), with outlet and tube, not in combination with item 91762

**Art.-no. 91608**

Bucket made of stainless steel, volume 12 litres, incl. lid with tube-inlet

**Art.-no. 91766**

Attachable upholsteries for enlargement of seat part for uro dynamic, dimensions (l x w): 170 x 150 mm, not in combination with item 400076



# Standard Accessories



**Art.-no. 40677**  
Socket at the base, 2 pieces  
(cannot be retrofitted)



**Art.-no. 40678**  
Potential equalisation socket at  
base (cannot be retrofitted)

**Art.-no. 40018**  
Doctor's foot rest made of stainless  
steel, not in combination with items  
81047\_200, 91762 and 91763



**Art.-no. 40898**  
Mobility for examination chair,  
consisting of 4 double leading castors,  
ø = 75 mm, lockable, electrically  
conductive, not for patient transfer

**Art.-no. 40046**  
Hand switch for control of height  
adjustment, pelvis section adjustment  
and back section adjustment (only for  
item 400520, cannot be retrofitted)



**Art.-no. 42000**  
Column cover made of polished  
stainless steel



**Art.-no. 41000**  
Additional charge for powder coated  
cover of the column according to RAL  
colour chart (on request)

**Art.-no. 40000**  
Additional charge for powder coated  
base according to RAL colour chart  
(on request)



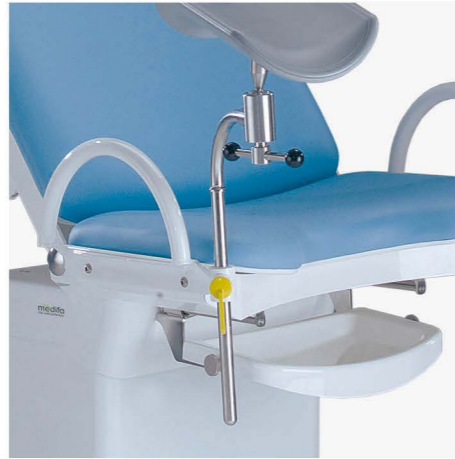
**Art.-no. 40020**  
PVC-protective cover for  
pelvis part upholstery



**Art.-no. 85222**  
Side rails at back section for accessory  
attachment (pair), l = 600 mm

**Art.-no. 85223**  
Side rails at pelvis section for accessory  
attachment (pair), l = 320 mm, only  
required for items 81705, 81700 and  
81650

# Standard Accessories

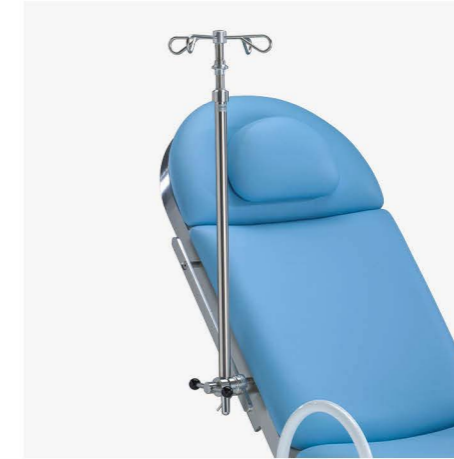


**Art.-no. 81043**  
Storing bowl made of stainless steel, dimensions: L x W x H: 325 x 265 x 65 mm

**Art.-no. 81044**  
same as 81043, but with dimensions (L x W x H): 325 x 176 x 65 mm

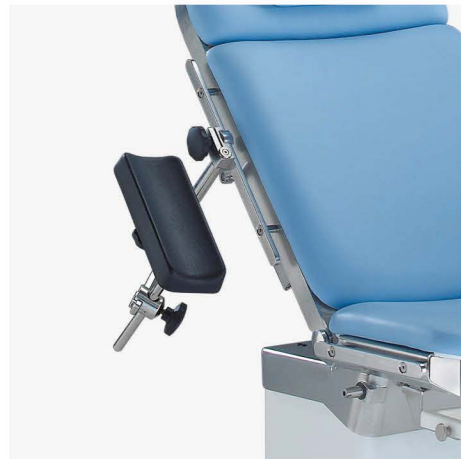
**Art.-no. 28530**  
Hand grips, white RAL 9010 (pair), not in combination with items 81717, 81726\_1 and 81726\_2

**Art.-no. 28531**  
Additional charge for artificial leather cover of handgrips in colour of upholstery (pair)



**Art.-no. 40023**  
Neck upholstery, incl. magnetic fixation

**Art.-no. 61805**  
Infusion rod for side rail attachment, stainless steel, incl. rotatable clamp



**Art.-no. 61211**  
Arm rest, rotatable and tiltable by means of ball joint, height adjustable, horizontally slidable, upholstery electrically conductive, incl. clamp and fixture strap, dimensions (upholstery): L x W x H = 400 x 115 x 40 mm

**Art.-no. 40220**  
Arm rest, swivelling, incl. artificial leather covered upholstery in colour of choice, dimensions (upholstery): L x W = 600 x 165 mm



**Art.-no. 40070**  
Wall holder made of stainless steel, for attachment of footrests, leg holders, leg plates and further accessories to fix at side rail (25 x 10 mm), dimensions (L x W x H): 300 x 235 x 200 mm

# Standard Accessories



## Art.-no. 82348

Examination luminaire for attachment at holder 82349\_1, 82349\_2 or 82349\_3

- LED technology (50'000 lx / 0.5 m)
- Illuminated field 180 mm
- Precise colour rendering Ra >93
- Light colours 3300 K, 3800 K or 4400 K
- Illumination strength dimmable in five stages
- Operating unit on light head
- Stepless positioning through flexible arm
- Slight thermal radiation in light



## Art.-no. 82349\_1

Holder for examination luminaire, adaptable on the right side

## Art.-no. 82349\_2

Holder for examination luminaire, adaptable on the left side

## Art.-no. 82349\_3

Examination luminaire holder for examination chair with colposcope holder, adaptable at the right or at the left side

# Additional furniture



## Art.-no. 206020

Mobile stool with polished five-arm aluminium base, double swivel castors  $\varnothing$  50 mm, height adjustment with gas spring support from 420 to 550 mm via release lever under seat, upholstery made of artificial leather covered foam according to colour chart, dimensions: seat:  $\varnothing$  360 mm, upholstery: 60 mm, base:  $\varnothing$  600 mm

# Additional furniture



## Art.-no. 206045

Mobile stool with saddle seat and base ring, polished five-arm aluminium base, double swivel castors  $\varnothing$  50 mm, height adjustment with gas spring support from 420 to 550 mm via release lever under seat, upholstery made of artificial leather covered foam according to colour chart, dimensions:  
seat:  $\varnothing$  400 mm,  
upholstery: 60 mm,  
base:  $\varnothing$  600 mm

# medifa

## Competence around operating rooms

As a leading international manufacturer of medical products, medifa GmbH offers innovative products and solutions for operating rooms, mobile hybrid operating systems and other areas in hospitals or outpatient surgical centers. The big product portfolio includes mobile operating tables and operating accessories, mobile carbon operating tables, operating lights, as well as examination and treatment chairs.

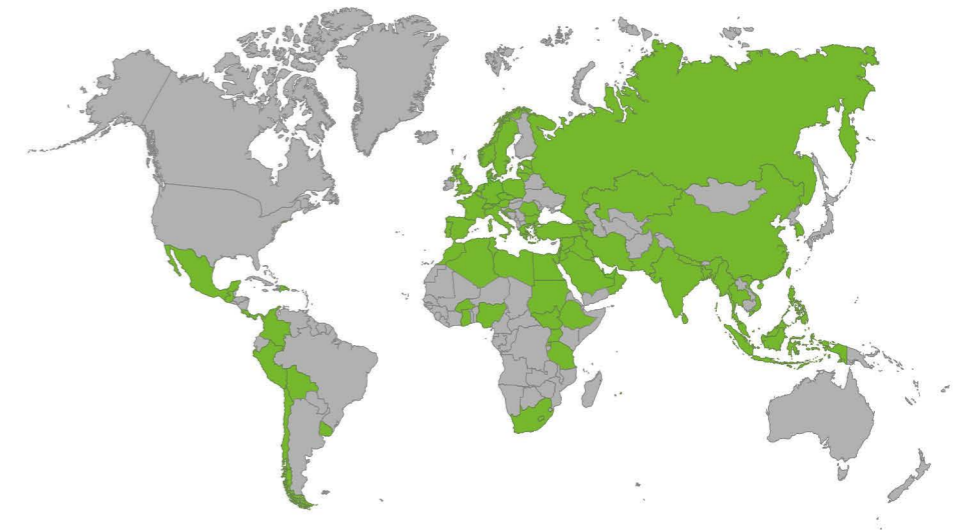
The medifa GmbH is a company of the Reinsberg Group, a leading and globally active European manufacturer of medical products and solutions for hospitals.

The development, construction and production of medifa products take place in Germany. With a large share of added value in the company group, medifa guarantees its customers fast response times and high quality "Made in Germany" in accordance with certified national and international quality standards. medifa consistently focuses on the current and future requirements of its customers. In line with the slogan "we care", customers from all over the world can rely on top-class consultation, processing and quality from a single source.

## Products

- Operating lights (medifa H!Light)
- Mobile operating tables
- Mobile carbon operating tables for minimal invasive applications
- Accessories for operating tables and lights
- Examination and treatment chairs (gynecology, urology and proctology)
- Medical functional furniture

## medifa worldwide





# medifa

Member of REINSBERG® GROUP



## medifa GmbH

Industriestraße 5

57413 Finnentrop

Germany

fon +49 2721 71 77 -0

fax +49 2721 71 77 -255

[www.medifa.com](http://www.medifa.com)

[info@medifa.com](mailto:info@medifa.com)

Version 01-24-EN

Subject to modifications due to technical development.

This document is intended to provide information to an international audience outside of the US.



Made in Germany

[www.medifa.com](http://www.medifa.com)

we care.