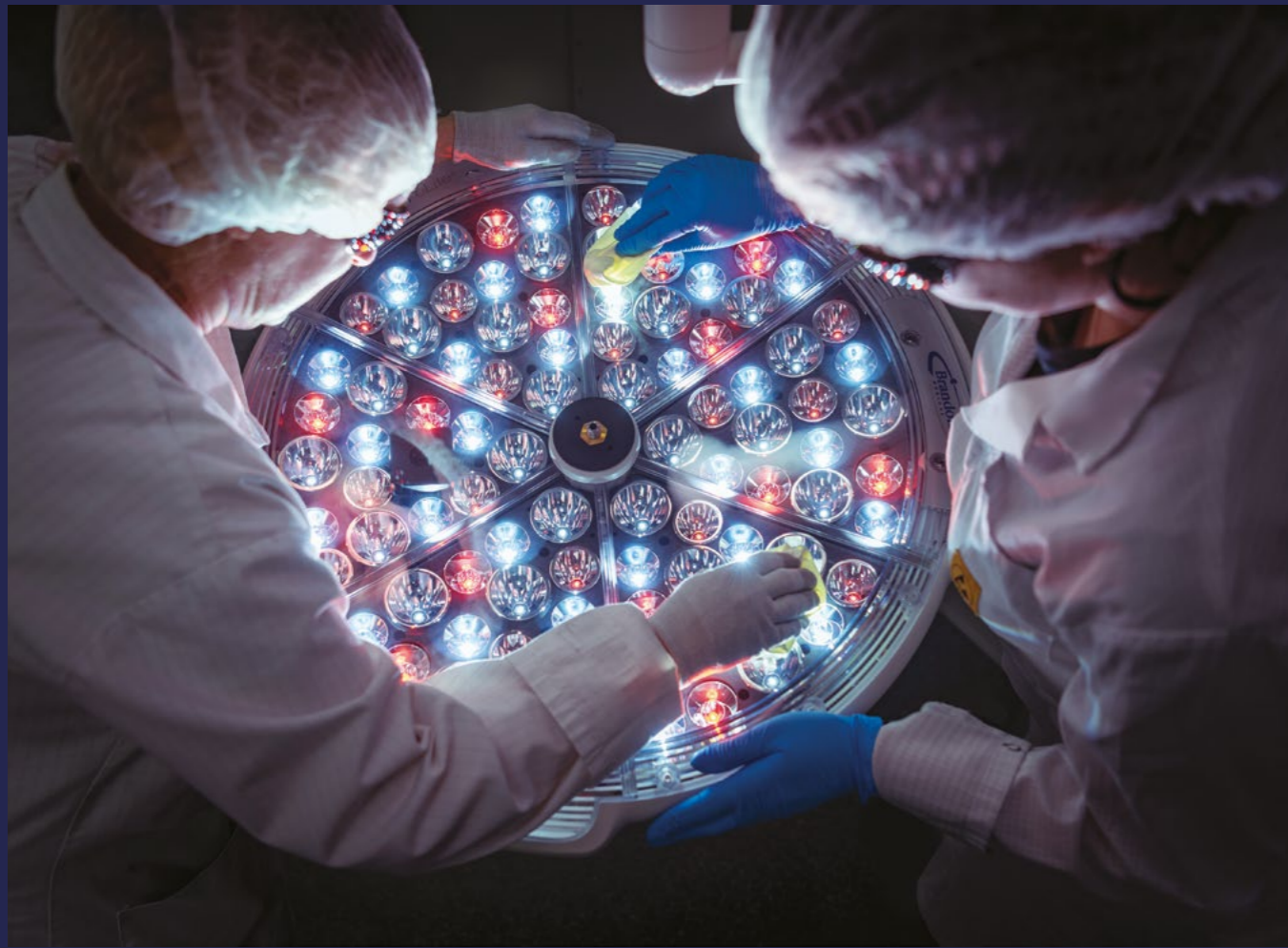




Astralite®

For Minor Surgery
and Examination





Brandon Medical

Brandon Medical is a UK designer and manufacturer of world-leading technology for operating theatres, critical care areas and primary care institutions.

For over 70 years, Brandon Medical has provided healthcare professionals with reliable, high-quality and affordable medical equipment.

Continuous investment in our products allows us to meet the ever-changing needs of our customers, the healthcare industry and the patients it serves.



**MADE IN
BRITAIN**

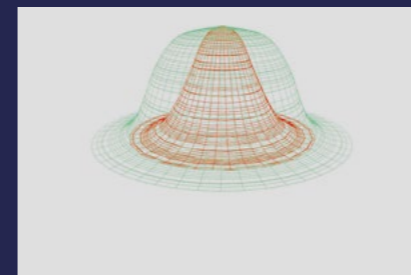


Astralite® Designed for examination and minor surgery

Full Spectrum Colour Rendition

The surgical lighting with near perfect colour rendition across the full visible spectrum. Natural white light picks out all the visible colours for your eyes so you can see clearly without eye strain.

- Easy to distinguish small differences in tissue.
- All the colours are strong and vibrant.
- Reduced eye strain by making the light do the work instead of the eye.



Fat Beam Illumination colour response

Higher light flux ensures the biggest beams of light in the business, bigger illuminated fields and more light across the full width of the illuminated area.

- High light intensity across the full illuminated area for uniform vision.
- Avoids visual distraction by reducing high contrast in the illuminated area.
- Adjust the beam size to suit your working area to eliminate peripheral distraction.

Astralite® HD LED Patented Technology

HD LED is an exclusive, patent protected technology by Brandon Medical, offering significantly superior performance compared to standard definition LED or conventional surgical lights.

Practical Assistance For Clinicians

Red light boosts the clinician's perception of tissue details during minor surgery, as the human eye is less sensitive to longer wavelengths. The Brandon HD LED technology enhances tissue visibility, aiding better outcomes in examinations and minor surgeries.

- Enhanced visualisation of red tissues.
- Improved differentiation between tissue of similar colour.
- You can adjust the light colour to match your own optical colour response.



Astralite® Warm/Cold range

Astralite offers a large light area with superb intensity, enabling faster and effective patient examinations compared to many other lights.

Suitable For Any Skin Tone

The Astralite® Warm/Cold range ensures excellent visualization of skin issues for all skin tones. Extensive tests, focusing on R13 and R15, confirm its effectiveness for darker skin tones, making it ideal for accurate skin examinations.





Astralite®
Real Operating Lights for
Minor Surgery & Examination



	AL10	ALE10	AL1W	ALE1W
Light Quality Characteristics				
Maximum Light Intensity	70,000 lux (8 Steps)	100,000 lux (8 Steps)	70,000 lux (8 Steps)	100,000 lux (8 Steps)
Beam Size D ₁₀ @ 1m	150mm	150mm	200mm	200mm
Colour Rendition (Ra)	95	95	98	98
Colour Rendition R9 (red)	95	95	93	93
Colour Rendition R13 (lighter skin tones)	93	93	97	97
Colour Rendition R15 (darker skin tones)	93	93	96	96
LED Life	> 50,000 Hours		> 75,000 Hours	
Power Consumption (VA Nominal)	17.2	21.7	21.3	29.4
Input Volts	100-240 Vac 50/60 Hz			

Large Movement Range

Astralite is designed so that the light head can be positioned all the way around the couch to examine all parts of the patient. The 5 rotations allow easy positioning of the light beam from any angle.

Long Life

LED life is greater than 50,000 hours which equates to more than 20 years of normal use.

Environmentally Friendly

Astralite uses less than 32 VA of electrical power. LEDs are mercury free and do not contain CFCs, POPs, VOCs, halogens or other harmful chemicals.

Economical

Never having to change a bulb for the lifetime of the product means that Astralite is highly economical. LED is substantially more efficient at producing more surgical quality light for less power.

Designed to Minimise Infections

Anti-microbial additives are used to neutralise harmful bacteria. The smooth, continuous surfaces are easy to wipe clean. The Astralite light head is sealed against the ingress of dirt and liquids to prevent contamination.

High Intensity Cold Light

Choose between the AL10 with 70,000 Lux light intensity at 1m or the even more powerful ALE10 with 100,000 Lux at 1m.



More Control

- Auto-On when any control is touched.
- Focusable beam by twisting the handle.
- Light intensity control (8 steps).
- Adjustable colour by Red Balance Control.

High Colour Rendition

Astralite reproduces all of the visible colours naturally and accurately. The high Ra≥95 describes the exceptionally high quality of white light whilst the high R9≥95 measurement describes how it accurately illuminates red tissue.

Adjustable Colour Contrast

The colour of the light can be adjusted depending on skin, tissue or wound to select the optimum lighting.

Large Illuminated Field

All models produce a large 250mm max. diameter light field with a 70-140cm working distance.



Sterilisable Handle Option

The standard handle is very easy to clean and accepts most disposable covers. A re-sterilisable handle is an optional item.

Astralite® Telescopic



Large Movement Range

Astralite® Telescopic offers the benefits of the Astralite® range, on a mobile base with an adjustable height stand, with a vertical range between 1,100 - 1,800mm.

More Control

- Compact, ideal for small examination rooms.
- Commercial UPS power available.
- Excellent value.

Long Life

LED life is greater than 50,000 hours.

Economical

Low life-time costs means that Astralite® is highly economical. LED is substantially more efficient at producing more surgical quality light for less power.

Designed to Minimise Infections

Anti-microbial additives are used to destroy harmful bacteria. The smooth, continuous surfaces are easy to wipe clean. The Astralite light head is sealed against the ingress of dirt and liquids to prevent contamination.

Adjustable Colour Contrast

The colour of the light can be adjusted depending on skin, tissue or wound to select the optimum lighting.

Large Illuminated Field

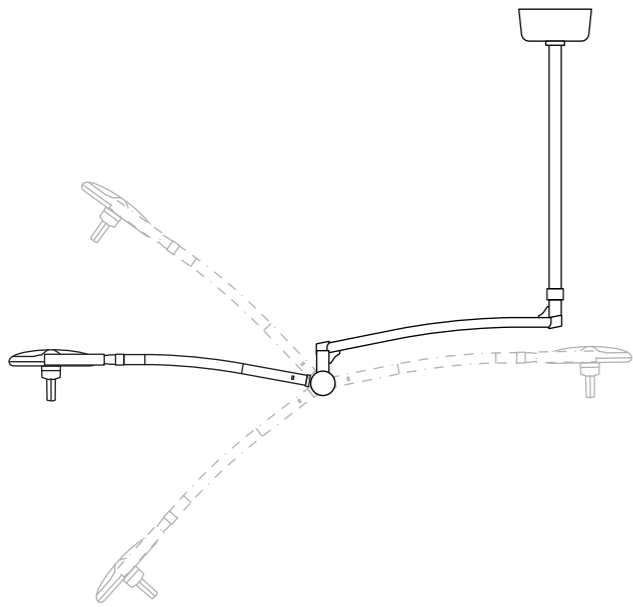
All models produce a large 250mm max. diameter light field with a 70-140cm working distance.

Exceeding Standards

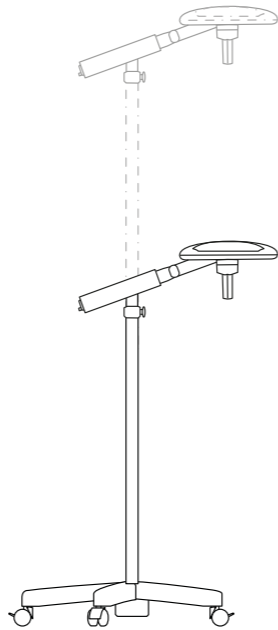
Brandon Medical is certified as an ISO 13485 and ISO 9001 manufacturer, the global standard for medical device manufacturers. Brandon Medical Astralite® conforms to IEC 60601-1, IEC 60601-1-2 and IEC 60601-2-41.



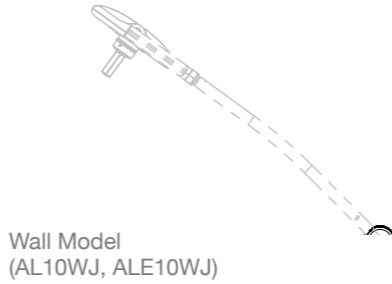
Astralite®
**Real Operating Lights for Minor
 Surgery & Examination**



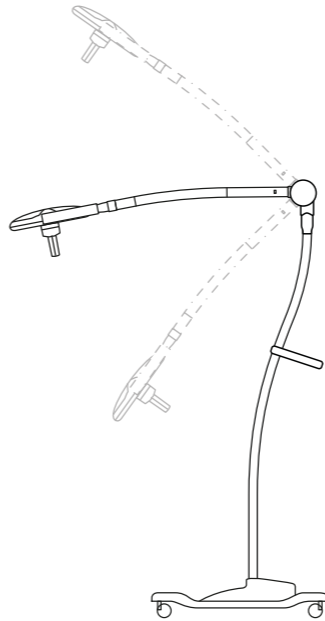
Ceiling Model
 (AL10CJ, ALE10CJ)



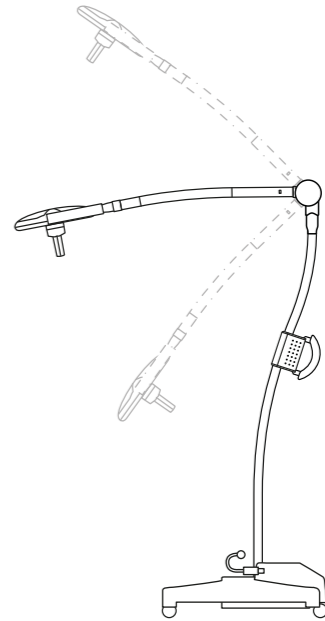
Astralite®
 Telescopic



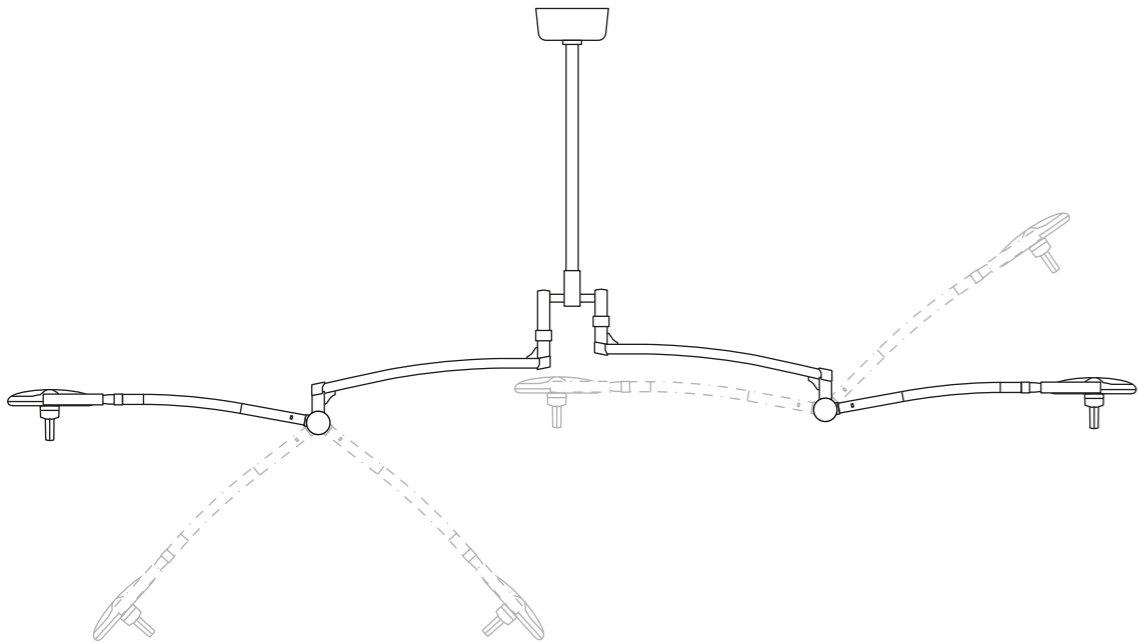
Wall Model
 (AL10WJ, ALE10WJ)



Mobile Model
 (AL10MO, ALE10MO)



Battery Back Up Model
 (ALE10MEL)



Tandem Model
 (ALE1010TJ)

**Handle
 Options**



Astralite is supplied with a
 standard light handle



Sterilisable handle is available
 as an optional extra

**Astralite®
Ceiling
Systems**

Model Number	Description
AL10CJ	Astralite AL10 Ceiling Mounted Light (70kLux)
ALE10CJ	Astralite AL10 Ceiling Mounted Light (100kLux)
AL1WCJ	Astralite AL1W Ceiling Mounted Light (CW-WW 70kLux)
ALE1WCJ	Astralite ALE1W Ceiling Mounted Light (CW-WW 100kLux)
ALE1010TJ	Astralite ALE10 Tandem Mounted Light (100kLux)

**Astralite®
Mobile
Systems**

Model Number	Description
ALE10MEL	Astralite PLUS 10 Series Lamp (100kLux) Mobile with Emergency Backup
ALE10MO	Astralite PLUS 10 Series Lamp (100kLux) Mobile
AL10MO	Astralite 10 Series Lamp (70kLux) Mobile
ALE1WMO	Astralite ALE1W Mobile Light (CW-WW 100kLux)
AL1WMO	Astralite AL1W Mobile Light (CW-WW 70kLux)
AL10MTA	Astralite 10 Series Lamp (70kLux) Mobile with Telescopic Column Built in PSU
ALE10MTA	Astralite PLUS 10 Series Lamp (100kLux) Mobile with Telescopic Column Built in PSU
AL10MTD	Astralite 10 Series Lamp (70kLux) Mobile with Telescopic Column Plug-Top Transformer
ALE10MTD	Astralite PLUS 10 Series Lamp (100kLux) Mobile with Telescopic Column Plug-Top Transformer
AL1WMTD	Astralite AL1W Mobile Light (CW-WW 70kLux) With Telescopic Stand, DC Input With Plug PSU
ALE1WMTD	Astralite Ale1W Mobile Light (Cw-Ww 100k Lux) With Telescopic Stand, DC Input With Plug PSU

**Astralite®
Wall Systems**

Model Number	Description
ALE10WJ	Astralite ALE10 Wall Mounted Light (100kLux)
AL10WJ	Astralite AL10 Wall Mounted Light (70kLux)
AL1WWJ	Astralite AL1W Wall Mounted Light (CW-WW 70kLux)
ALE1WWJ	Astralite ALE1W Wall Mounted Light (CW-WW 100kLux)

Astralite® Mounting Options

Brandon Medical's HD-LED minor surgical and examination lamps are available in a variety of mountings to suit all clinical environments.



Ceiling

- Can be mounted anywhere in the room.
- Can be positioned out of the way.
- Ideal when space is limited.
- Longer arm reach.
- Choice of 1 or 2 lamp heads.

Telescopic

- Easy to move and position.
- Use the light in multiple rooms.
- Adjustable height stand for even more ease.

Wall

- Can be hard wired into the wall, freeing up plugs and floor space.
- More secure than a mobile light.

Mobile

- Ideal for getting as close to the patient as possible.
- Easy to move and position.
- Use the light in multiple rooms.
- Model with battery back up available.

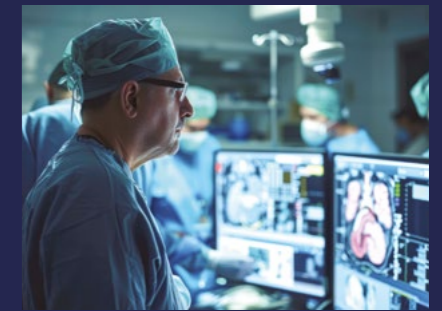


My Specialism

Brandon Equipment Packages for Hospitals



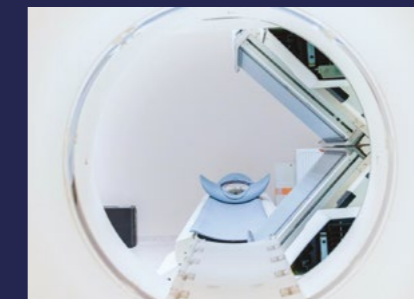
Operating Theatres



Endoscopy



Critical Care Areas



Imaging Suite



A&E Resuscitation

Medical Architectural

- Ultra clean ventilation system.
- Medical gas pendants and accessories.
- Operating tables and accessories.

Medical Lighting

- Operating theatre lights.

Medical Audio Video

- Integrated OR solutions.
- Operating theatre 4K video.
- Digital audio video solutions.

Exceeding Standards

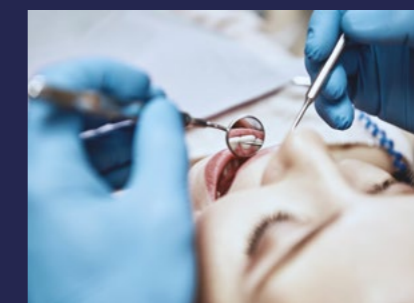
Brandon Medical is certified as an ISO 13485 and ISO 9001 manufacturer, the global standard for medical device manufacturers. Brandon Medical Astralite® conforms to IEC 60601-1, IEC 60601-1-2 and IEC 60601-2-41



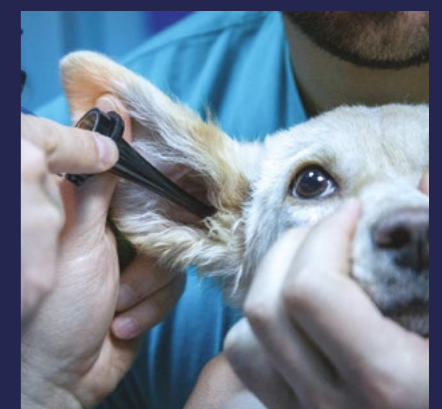
Brandon Solutions for Doctors



General Practitioners



Dental



Veterinary



United Kingdom



EMEA



Asia Pacific



Latin & South America



South Asia



USA & Canada



Contact the team

+44 (0)113 2777 393

enquiries@brandon-medical.com

www.brandon-medical.com

Brandon Medical Co Ltd, Elmfield Road, Morley, Leeds, LS27 0EL

T: +44 (0)113 2777 393 | F: +44 (0)113 2728 844

E: enquiries@brandon-medical.com | www.brandon-medical.com

